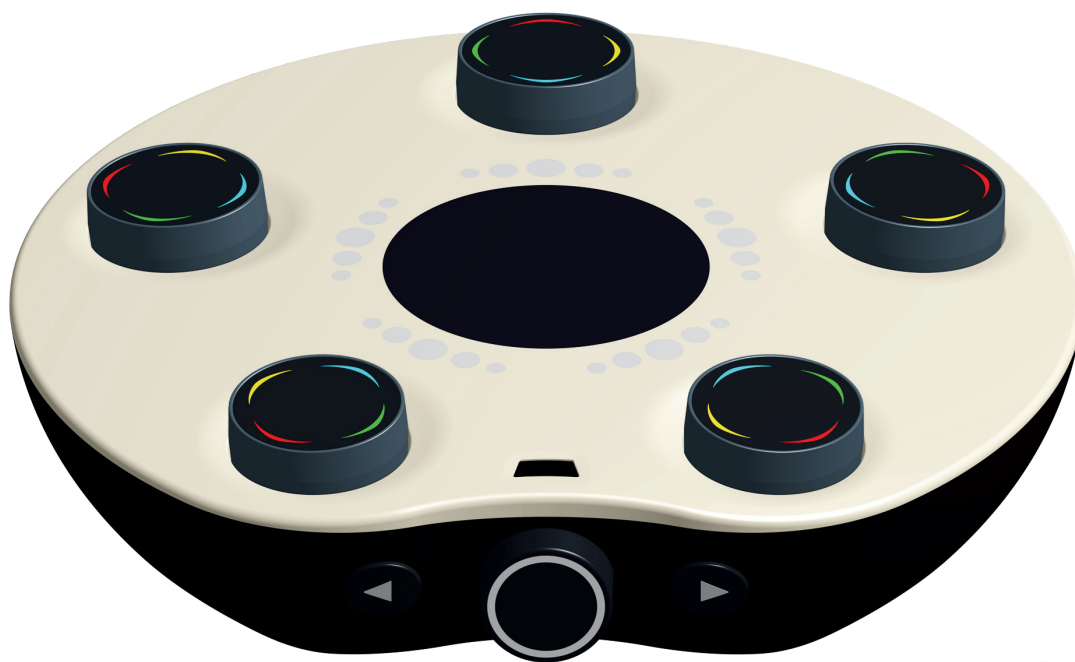


le  
**maestro**  
by **CONCERTI**



# GETTING STARTED GUIDE

22/09/2024

# DISCOVER

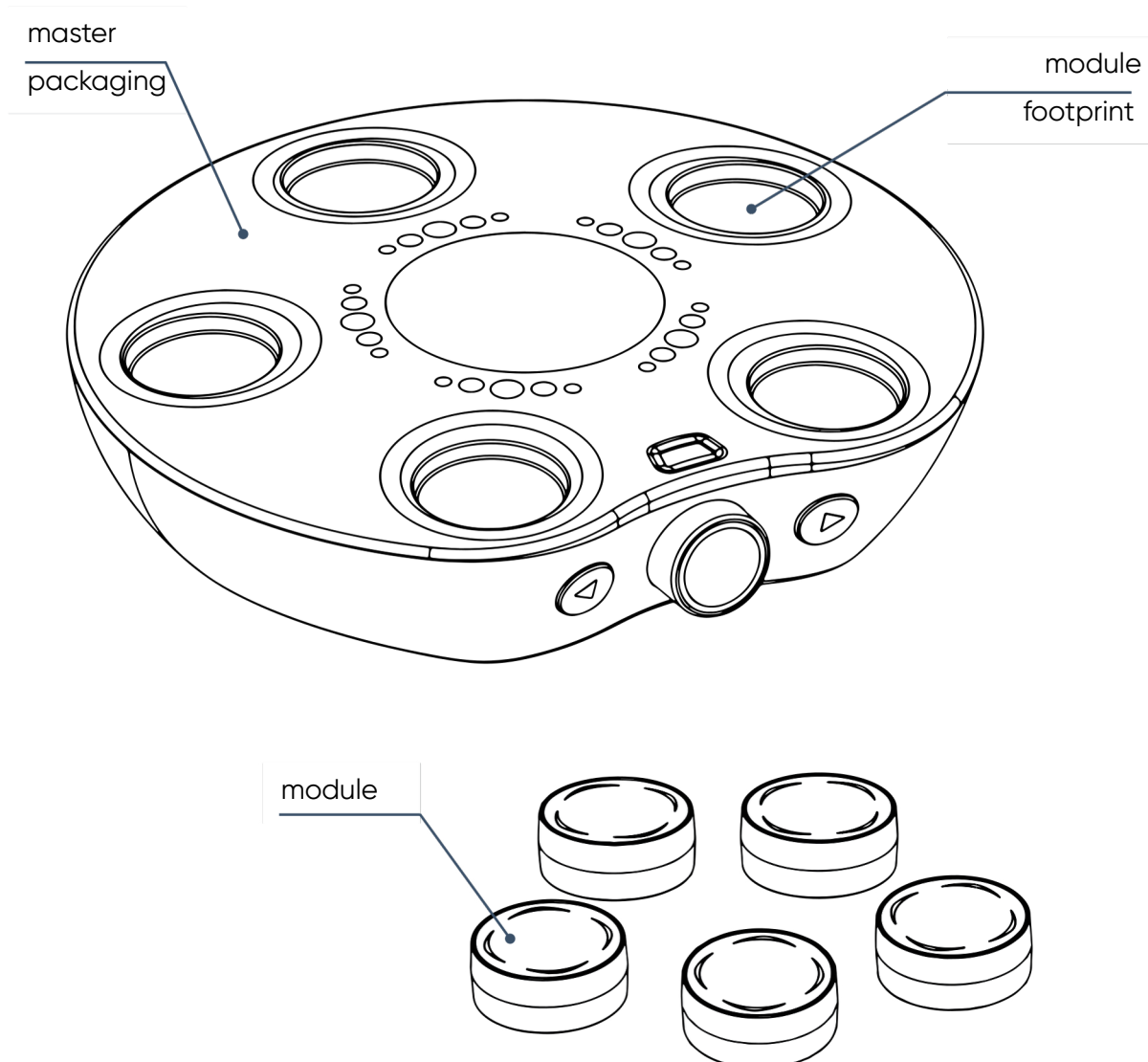
---

Le maestro consists of a main base comprising five indentations in which five modules are housed.

When you place a module, a musical phrase is triggered and the light indicators show you the color of this phrase.

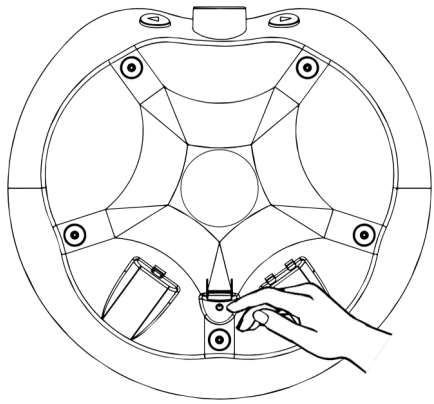
Each module offers four positions allowing you to trigger four different musical variations.

Combining the positions of all the modules allows you to create your own composition, harmonious every time.

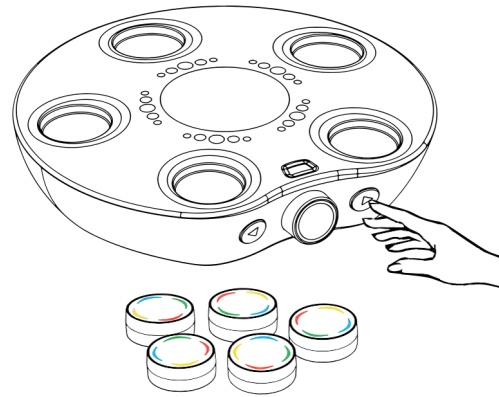


# PLACE, MOVE, CREATE

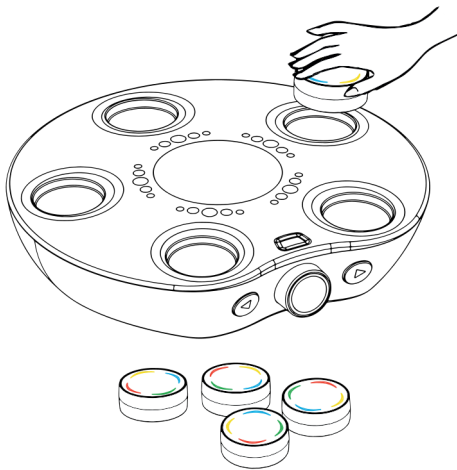
---



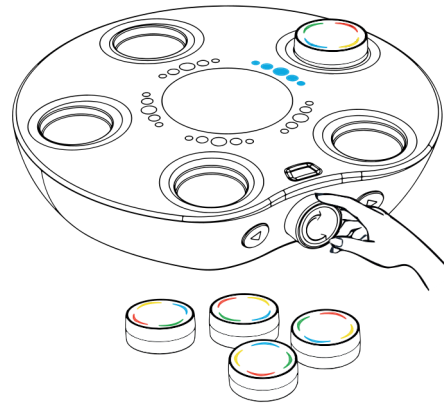
1. Press the power button located below your maestro.



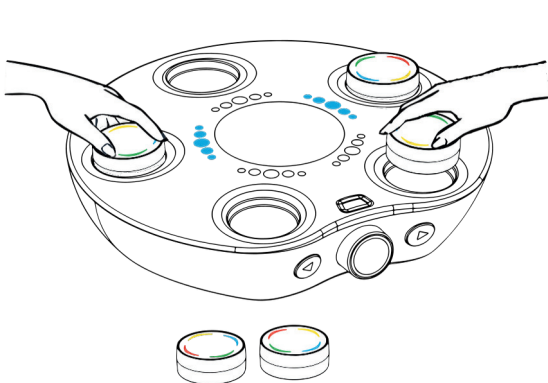
2. Select an orchestration by pressing the arrows.



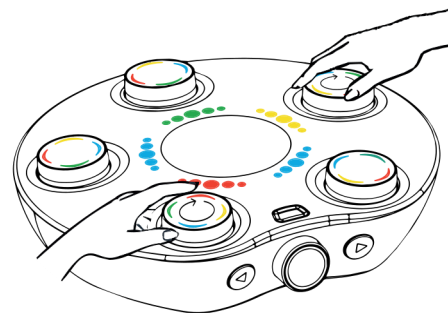
3. Place a module in one of the compatible footprints.



4. Adjust the sound level by turning the volume knob.



5. Add other modules to build your composition.



6. Turn the modules to discover the different musical colors.

# GO FURTHER

---

- You can reset the active orchestration by pressing once on the left arrow .
- You can connect up to two wired headsets via the jacks located under le maestro.
- You can connect the maestro to an external amplification system via these same jacks.
- To charge your maestro, simply connect the USB cable to the supplied 5V charger and then to the maestro's USB-C port.
- Normally, the illuminated display on the central button gives you an indication of the battery level.

green	battery greater than 20%
orange	battery between 5 and 20%
red	battery less than 5%

When the battery reaches 5% we advise you to recharge your maestro.

- When charging or when the track number is displayed, you can press the center button to view the battery charge level more precisely.
- When the volume icon or battery icon is displayed, you can press the center button to return to the music track display.
- To turn off le maestro, press the power button again. A starry moon will appear on the display, followed by an audio logo to indicate that your maestro is about to turn off.
- If your maestro ever gets stuck, you can forcefully turn it off by pressing the power button for eight seconds continuously.